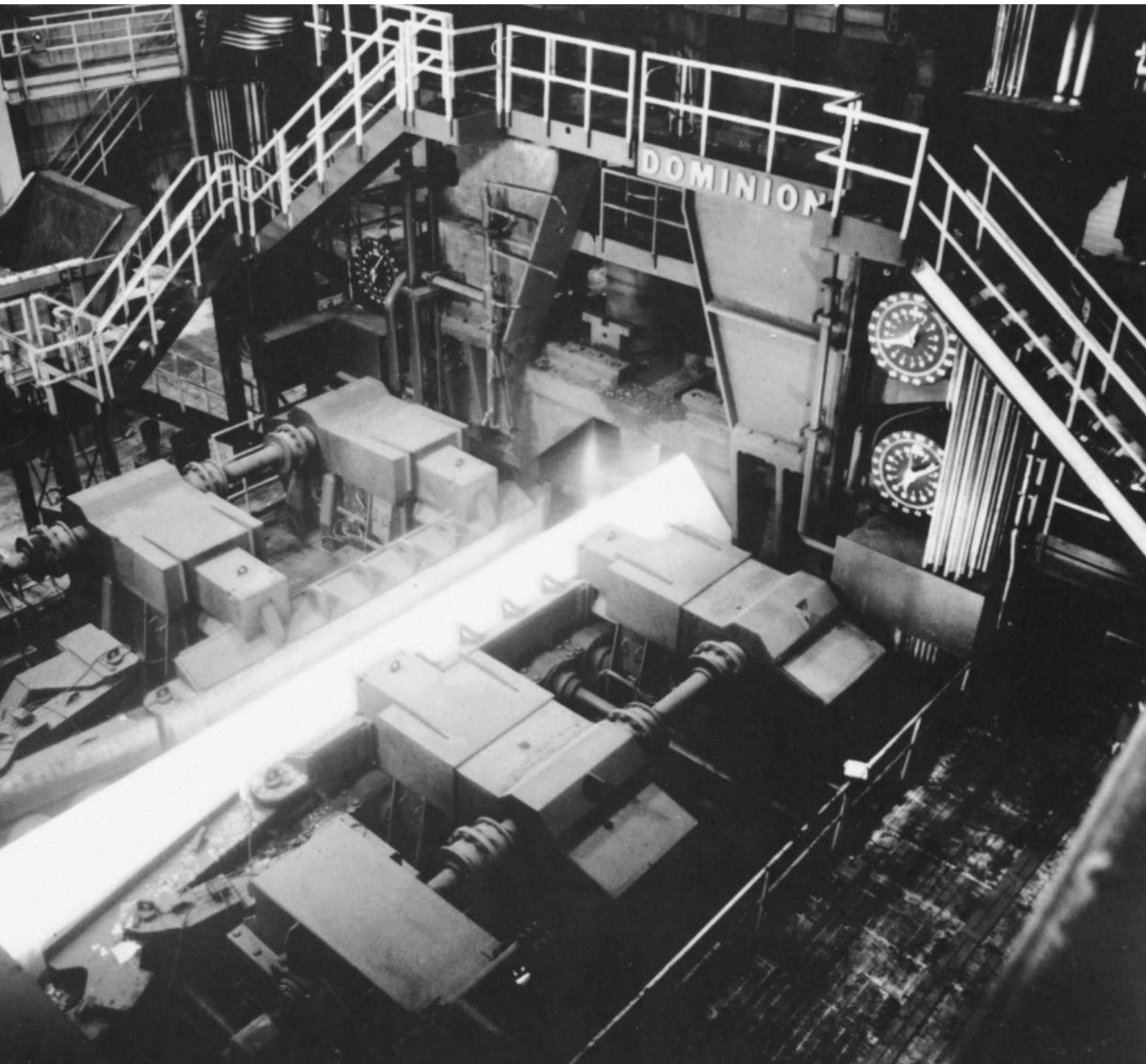


# Roll Bearing Arrangement of a Rough-Stand of a Hot Strip Mill

# FAG

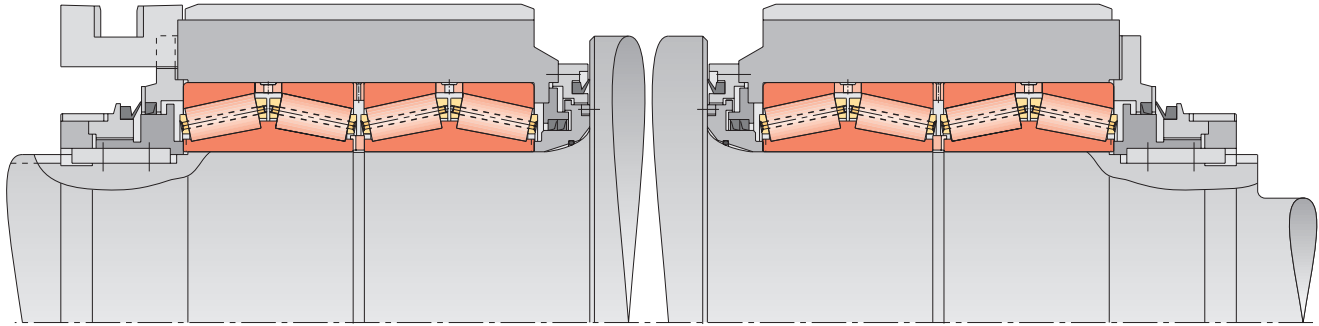
Examples of Application Engineering

WL 17 517 GB-D



Manufacturer: Dominion Engineering Work, Montreal / Canada (doesn't exist anymore)  
Operator: ArcelorMittal Dofasco Inc., Hamilton / Canada

**SCHAEFFLER GROUP**  
INDUSTRIAL



Horizontal stand 54"×72"

### Operating Data

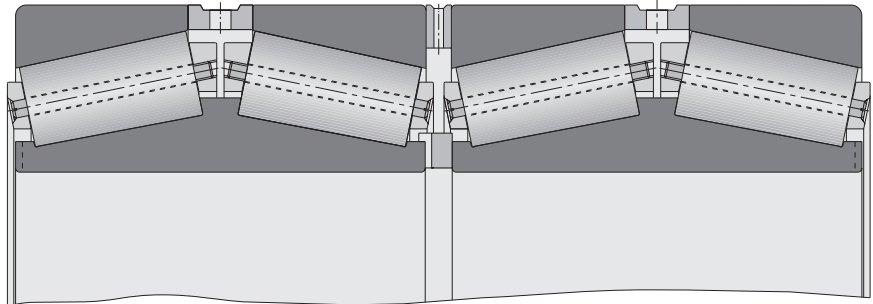
Roll body diameter of the	
horizontal roll	1 370 mm
vertical roll	1 070 mm
Roll body length of the	
horizontal roll	1 830 mm
vertical roll	1 070 mm
Rolling speed	6 m/s
Rolling force maximum	28 000 kN

### Bearings for the horizontal stand 54" × 72"

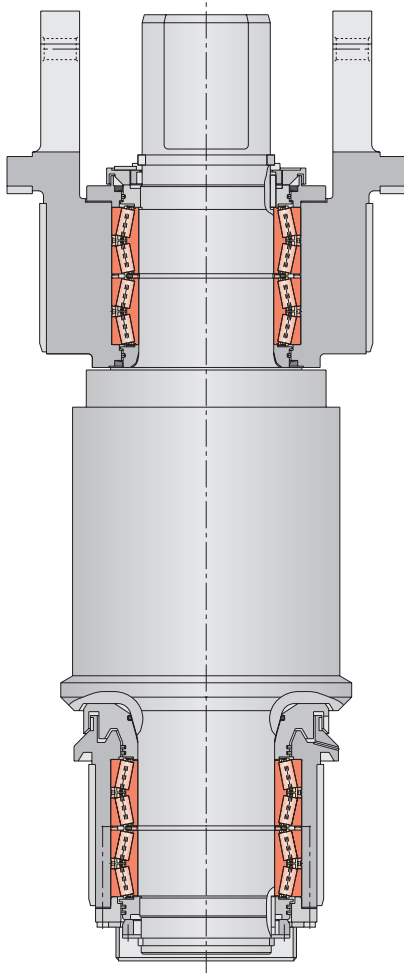
Four-row tapered roller bearings **F-802234.TR4-AM** are used on the both roll necks. These roller bearings are mounted with a loose fit on the roll neck.

#### Dimensions:

d	825,5 mm
D	1 168,4 mm
B	844,5 mm
Cage:	Pin-type cage
Axial clearance:	0,100 – 0,150 mm



Vertical stand 42"×42"

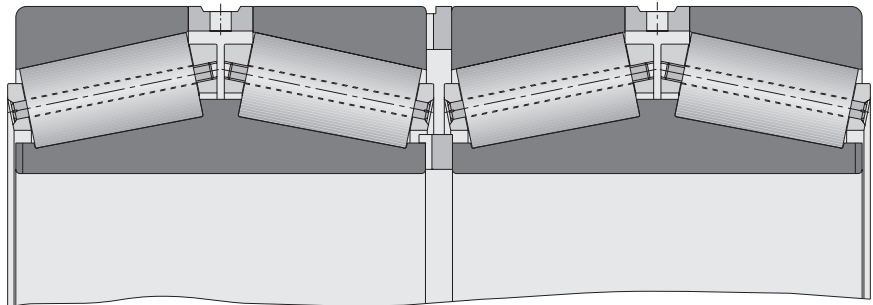


### Bearings for the vertical stand 42" × 42"

An **F-802038.TR4-AM** four-row tapered roller bearing each on the locating and the floating bearing end.

#### Dimensions:

d	536,575 mm
D	761,873 mm
B	558,8 mm
Cage:	Pin-type cage
Axial clearance:	0,100 – 0,150 mm



### Lubrication

The bearings are being continuously relubricated with grease. Grease with EP additives and of high viscosity is used.

### Schaeffler KG

Heavy Industries  
Steel  
Georg-Schäfer-Str. 30  
97421 Schweinfurt (Germany)  
Telefon +49 9721 91-0  
Telefax +49 9721 91-3435  
E-Mail steel@schaeffler.com  
Internet www.fag.com