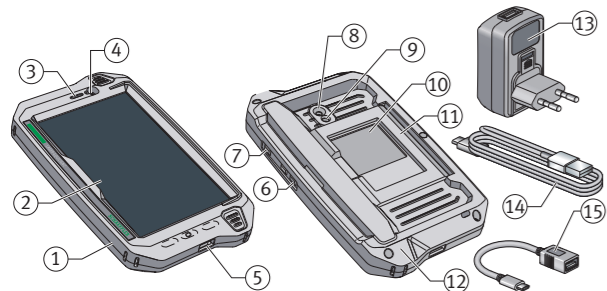


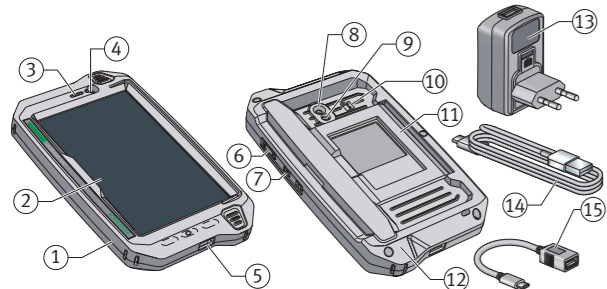
LASER-EQUILIGN2

Pocket guide

Tablet

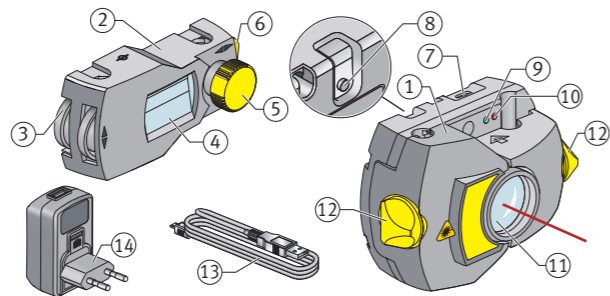


Tablet (Revision 1)



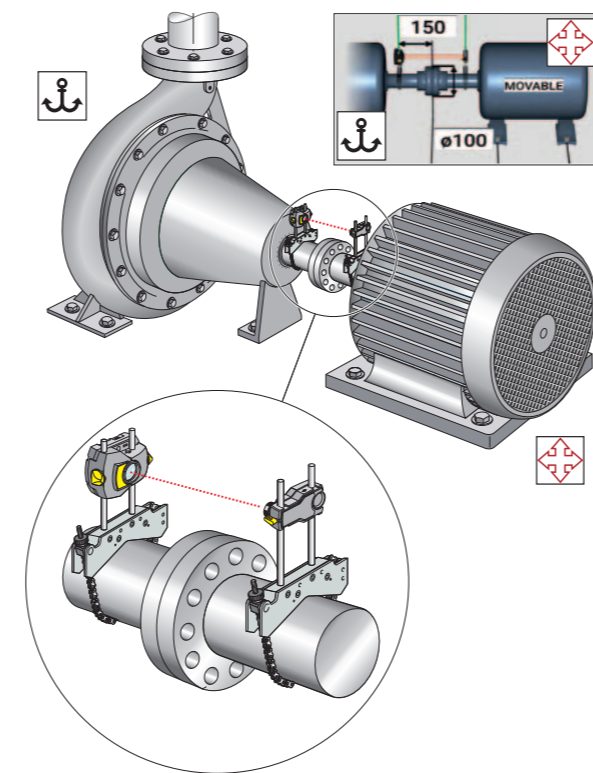
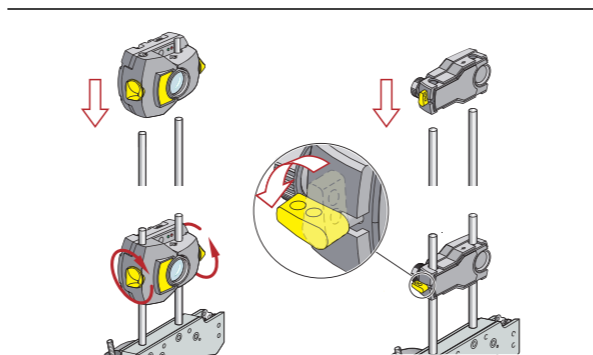
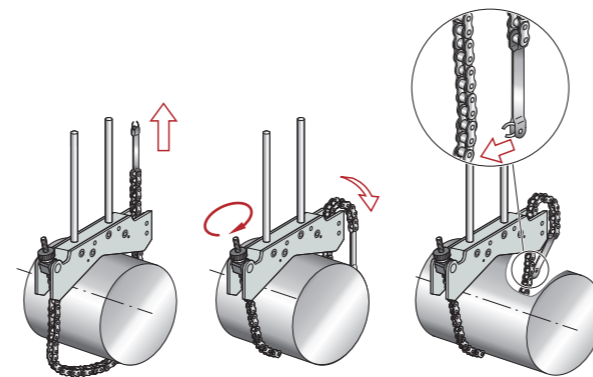
- ① Tablet including protective cover (LASER-EQUILIGN2-TABLET)
- ② Touchscreen
- ③ Light sensor
- ④ Front camera
- ⑤ Multifunctional socket (USB type C)
- ⑥ Volume down button
- ⑦ Power button
- ⑧ Rear camera
- ⑨ LED light
- ⑩ Position of the RFID antenna
- ⑪ Stand
- ⑫ Protective cover
- ⑬ USB charger (LASER-EQUILIGN2.CHARGER)
- ⑭ Charging cable (LASER-EQUILIGN2.CABLE-TABLET)
- ⑮ Cable adapter, USB type A socket to USB type C plug (LASER-EQUILIGN2.CABLE-USB-STICK)

Laser/sensor unit and reflector



- ① Laser/sensor unit (LASER-EQUILIGN2.TRANS)
- ② Reflector (LASER-EQUILIGN2.REFLECT)
- ③ Thumbwheel for vertical positioning
- ④ 90° glass roof prism
- ⑤ Adjustment knob for horizontal adjustment
- ⑥ Locking lever
- ⑦ Charging socket (micro USB)
- ⑧ Power button
- ⑨ Laser beam status and charging LED
- ⑩ Laser operation, Bluetooth LED
- ⑪ Laser emission opening
- ⑫ Locking knobs
- ⑬ Micro USB cable (LASER-EQUILIGN2.CABLE-TRANS)
- ⑭ USB charger (LASER-EQUILIGN2.CHARGER)

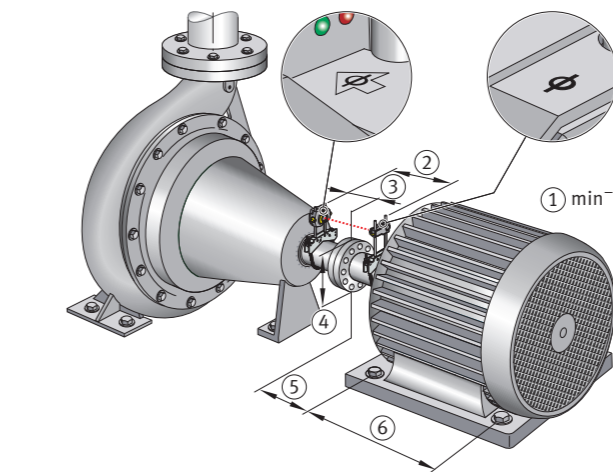
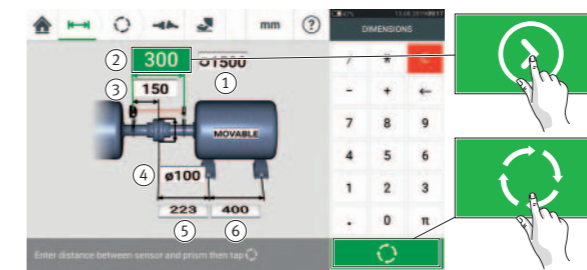
1. Mount the measurement components



2. Start the application



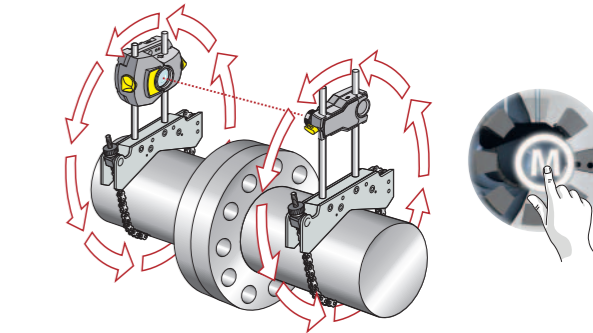
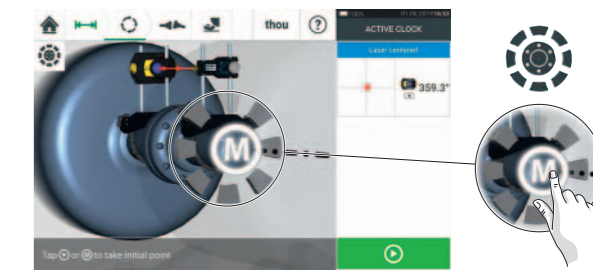
3. Enter the dimensions



4. Adjust the laser beam



5. Measure

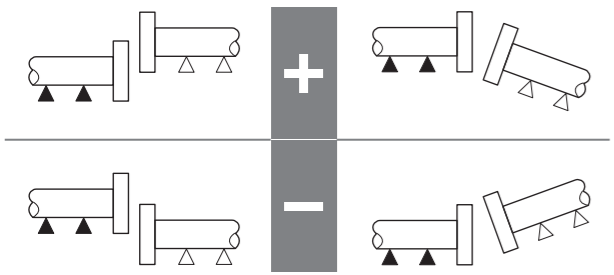


6. Display measurement results



- ① Tolerance icon
- ② Coupling results (vertical, horizontal)
- ③ Vertical foot correction → Shims
- ④ Horizontal foot correction → Move
- ⑤ Display mode for the results

Sign convention

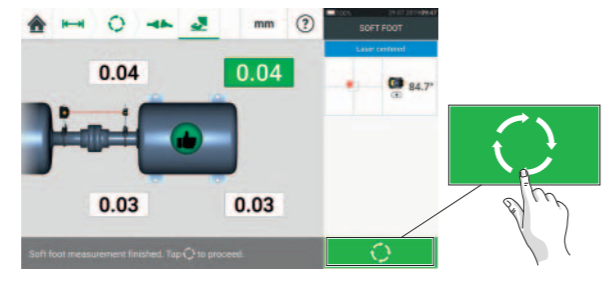
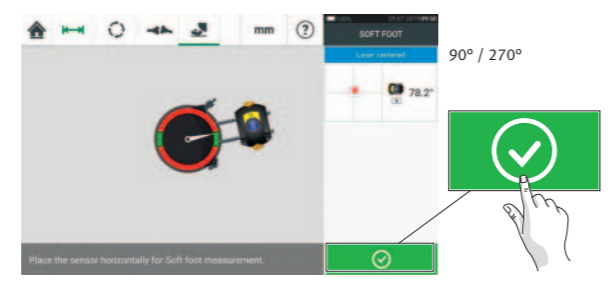


Tolerance table (Short flexible couplings; speeds for 50 Hz and 60 Hz)

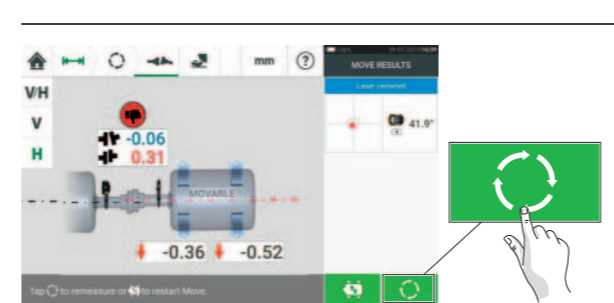
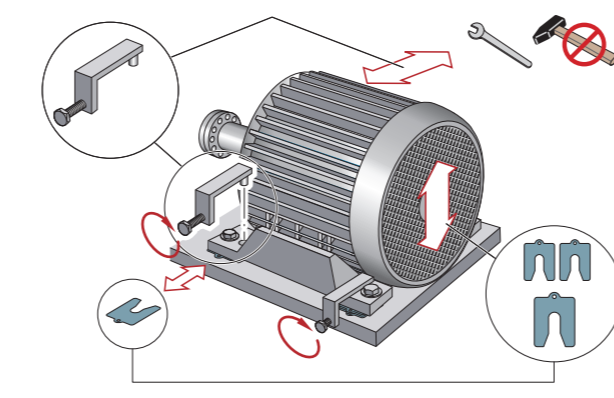
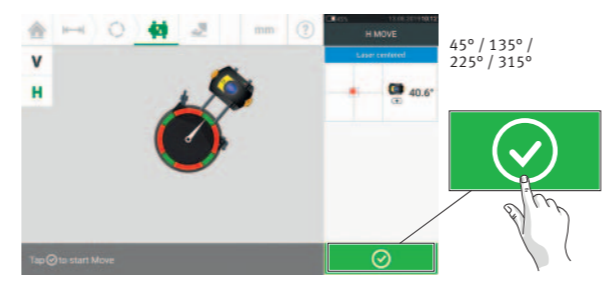
Speed min ⁻¹	Offset		Angularity	
	mm	mils	mm ¹⁾	mils ²⁾
600	0,23	9	0,15	14,9
750	0,18	7,3	0,12	12,3
900	0,16	6,1	0,1	10,5
1000	0,14	5,5	0,1	9,6
1200	0,12	4,6	0,08	8,2
1500	0,09	3,7	0,07	6,7
1800	0,08	3,1	0,06	5,7
3000	0,05	1,9	0,04	5,7
3600	0,04	1,6	0,03	3,1
6000	0,02	1	0,02	2
7200	0,02	0,8	0,02	1,7

1) Based on a coupling diameter of 100 mm.
2) Based on a coupling diameter of 10 inch.

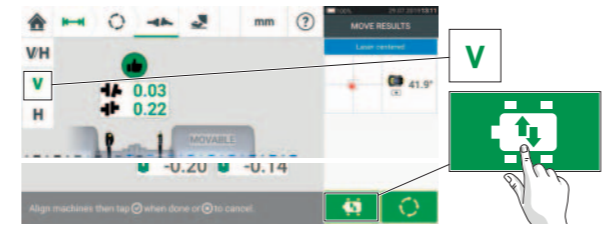
Measure soft foot



Make corrections with Live Move



Click the V symbol, then carry out a second correction run



Save measurement file



Create report



Schaeffler Technologies AG & Co. KG
 Georg-Schäfer-Straße 30
 97421 Schweinfurt
 Germany
www.schaeffler.de/en
info.de@schaeffler.com

All information has been carefully compiled and checked by us, but we cannot guarantee complete accuracy. We reserve the right to make corrections. Therefore, please always check whether more up-to-date or amended information is available. Printing, including excerpts, is only permitted with our approval.
 © Schaeffler Technologies AG & Co. KG
 BA 55 / 01 / en-GB / DE / 2022-12
 PN 5274227 6/2021, Rev. 1, 12/2022

