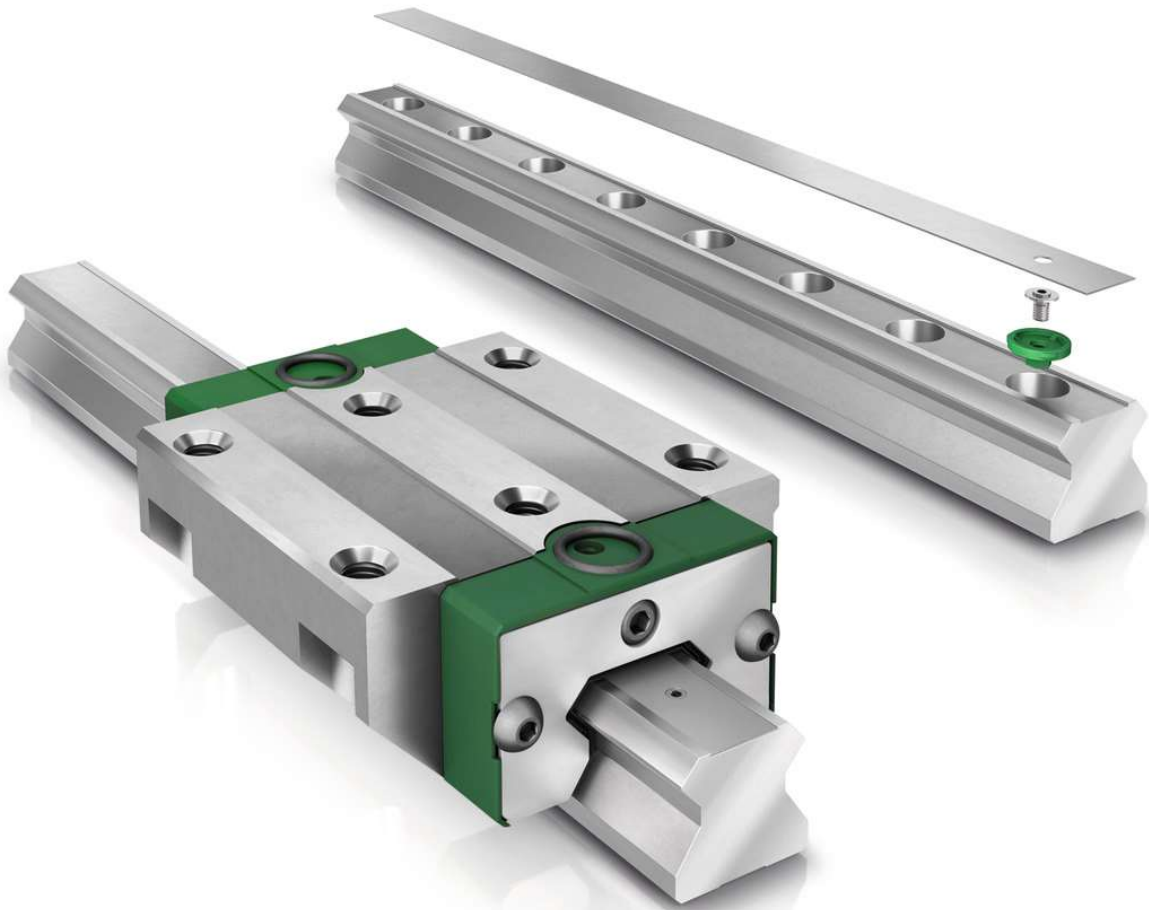


SCHAEFFLER



ADE covering strip

ADE covering strip

ADE covering strips are an alternative to closing plugs. They completely cover the fixing holes in the guideways. The ADE covering strip is inserted into the guideway groove and the MSATZ.ADE fixes the strip firmly in place. The ADE covering strip can be fitted at any time, even when the carriage is already installed.



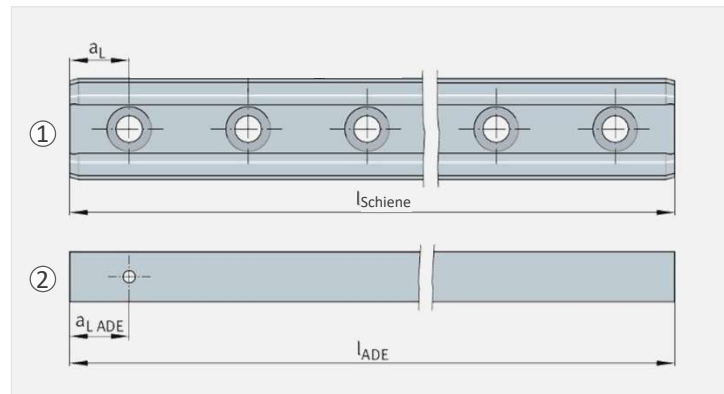
- ① ADE covering strip
- ② MSATZ.ADE
- ③ Guideway

ADE covering strip

Hole patterns of guideway and ADE covering strip

Hole patterns and designations of the guideway and ADE covering strip must be observed during fitting. Guideways that are suitable for ADE covering strip are marked with the suffix ADE.

- ① Guideway
- ② Covering strip



$$a_{L\ ADE} = a_L - 3,5\ \text{mm}$$

a_L mm
Distance between start of guideway and nearest hole

l_{Guideway} mm
Length of single-piece or multi-piece guideway

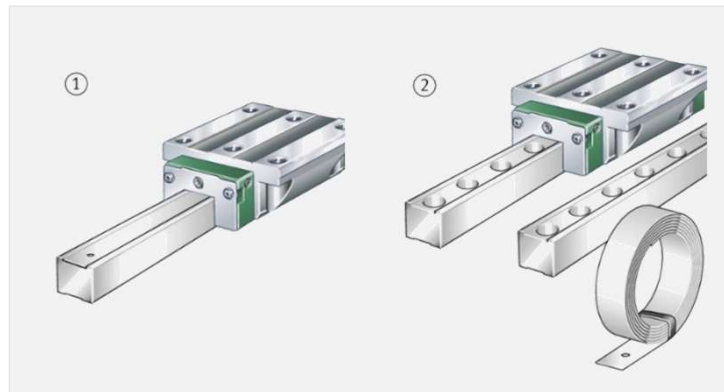
$a_{L\ ADE}$ mm
Position of fixing hole in covering strip

l_{ADE} mm
Length of customized covering strip

ADE covering strip

Delivered condition ADE covering strip

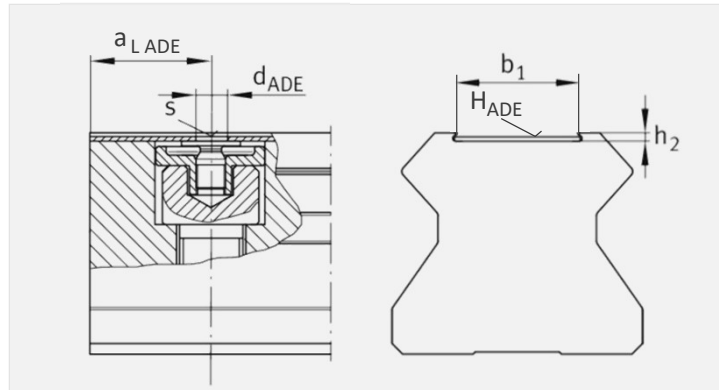
- Single-piece guideway
 - covering strip is delivered inserted in the guideway.
 - covering strip is 3.5 mm shorter than the total length of the guideway on each side and ends flush with the standard chamfer.
 - A MSATZ.ADE for locating the strip is included loose with each ADE covering strip.
- Delivered condition of multi-piece guideway
 - covering strip is delivered in the packaging, together with the guideway, in the form of a coil.
 - end of covering strip is approx. 60 mm longer than the total length of the guideway, the excess length is shortened during fitting.
 - A MSATZ.ADE for locating the strip is included loose with each ADE covering strip.



- ① Single-piece guideway
- ② Multi-piece guideway

ADE covering strip

Dimensions and sizes



$$a_{L ADE} = a_L - 3,5$$

Dimension table · Dimensions in mm

Designation	Dimensions				
	d_{ADE}	s	b_1	h_2	H_{ADE} ¹⁾
ADE13	3,9	0,6	13	1,1	0,6
ADE17	3,9	0,6	17	1,1	0,6
ADE22	3,9	0,6	22	1,1	0,6
ADE26	3,9	0,6	26	1,1	0,6
ADE28	3,9	0,6	28	1,1	0,6

¹⁾ Thickness of the ADE covering strip

Assignment of sizes

Size code	Monorail guidance systems Gudieways			Covering strip	Fixing screw ²⁾
	KUVE TKVD	KUSE TKSD	RUE TSX		
20	•	•		ADE13	MSATZ.ADE13-0010
25	•	•	•	ADE13	MSATZ.ADE13-0010
30	•	•		ADE17	MSATZ.ADE17-0010
35	•	•	•	ADE17	MSATZ.ADE17-0010
45	•	•	•	ADE22	MSATZ.ADE22-0010
55	•		•	ADE26	MSATZ.ADE26-0010
65			•	ADE28	MSATZ.ADE28-0010

²⁾ Can only be used in combination with fixing screws to DIN ISO 4762

Schaeffler Technologies AG & Co. KG

Industrial Automation
Berliner Straße 134
66424 Homburg (Saar)
Germany
Internet www.schaeffler.de
E-Mail info.industrialautomation@schaeffler.com

In Germany:
Phone 0180 5003872
Fax 0180 5003873

From other countries:
Phone +49 9132 82-0
Fax +49 9132 82-4950

Every care has been taken to ensure the correctness of the information contained in this publication but no liability can be accepted for any errors or omissions. We reserve the right to make technical changes.

© Schaeffler Technologies AG & Co. KG
Issued: 2020, November

This publication or parts thereof may not be reproduced without our permission.

PDB ADE GB-D