

# New generation of SNV housings

The new split plummer block housings SNV052-F to SNV340-F are particularly easy to fit and maintain. As a result, it is no longer necessary to use special housing designs in many standard applications. The housings have been available since April 2009.

## New features Relubrication holes

Lubrication is made considerably simpler by the presence of two threaded holes for grease lubrication and one threaded hole for grease outlet, *Figure 1* and *Figure 2*.

One tapered lubrication nipple to DIN 71 412-AM10×1, one button head lubrication nipple to DIN 3 404-M10×1 and the associated protective covers are supplied in a plastic bag.

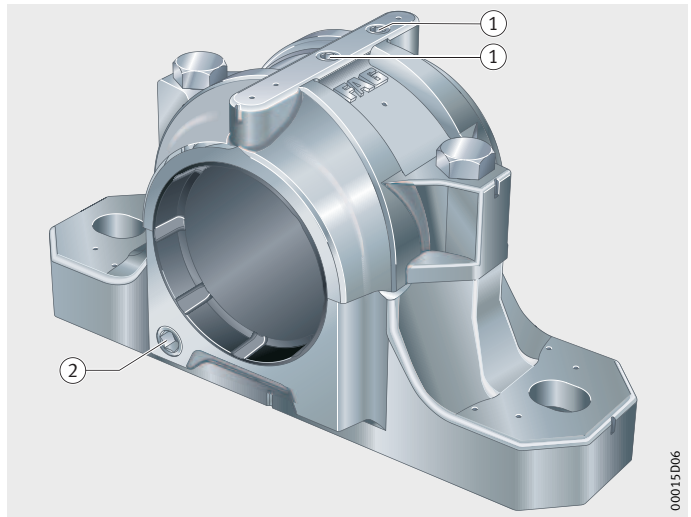
The lubrication and grease outlet holes are closed off using screw plugs to DIN 906.

### SNV052-F to SNV200-F

- ① Threaded holes for grease lubrication:  
M10×1
- ② Threaded hole for grease outlet in:  
SNV052-F to SNV090-F = M10×1  
SNV100-F to SNV125-F = M14×1,5  
SNV130-F to SNV200-F = M20×1,5

*Figure 1*

Split plummer block housing



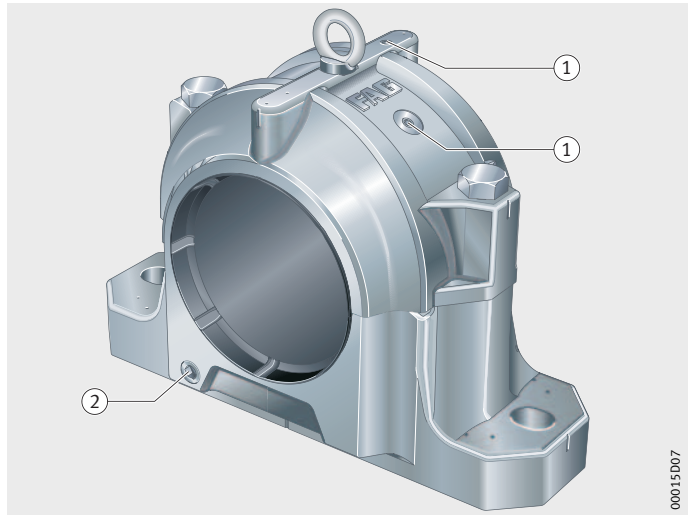
00015D06

### SNV215-F to SNV340-F

- ① Threaded holes for grease lubrication:  
M10×1
- ② Threaded hole for grease outlet:  
M20×1,5

*Figure 2*

Split plummer block housing



00015D07

**Modified bore tolerance** Due to the tolerance zone G7 (previously H7), the bearing can be displaced more easily and thus positioned more precisely when fulfilling its non-locating bearing function.

**Addition to designation** The presence of the lubrication and grease outlet holes is indicated by adding the letter F to the housing designation.

<b>Example</b>	Housing	SNV
	Bearing outside diameter	100 mm
	Threaded holes for relubrication and grease outlet	F
	Housing material	
	Flake graphite cast iron	L
Spheroidal graphite cast iron	D	

Ordering designation **SNV100-F-L**

**Withdrawal of technical specifications** The following specifications are no longer required, since the new generation already includes these requirements:

- G944 (AA, AB, FB, FD, GB, GE, KC, KE, TA, TB)
- G970A.

**FAG**

**Schaeffler KG**

Georg-Schäfer-Strasse 30  
97421 Schweinfurt (Germany)  
Internet [www.fag.com](http://www.fag.com)  
E-Mail [FAGinfo@schaeffler.com](mailto:FAGinfo@schaeffler.com)

In Germany:

Phone 0180 5003872

Fax 0180 5003873

From Other Countries:

Phone +49 9721 91-0

Fax +49 9721 91-3435

Every care has been taken to ensure the correctness of the information contained in this publication but no liability can be accepted for any errors or omissions.

We reserve the right to make technical changes.

© Schaeffler KG · 2009, July

This publication or parts thereof may not be reproduced without our permission.

PDB 1 GB-D