



Mounting of rolling bearings
Mounting of rope sheave bearings

Mounting of special types

Features

Selection of the suitable mounting method is based not only on the bearing type but also on the adjacent construction and the relevant dimensions. In the case of some rolling bearing types, attention must be paid during mounting to particular features or a particular procedure must be applied, which is discussed in detail below. Further details are given in the product-specific catalogues and brochures. The decisive factor for correct mounting is, however, the mounting manual relating to the application.

Mounting of rope sheave bearings

Before the bearing is pressed into the rope sheave, it is recommended that the bearing seating surfaces should be lightly oiled or alternatively rubbed or sprayed with dry lubricant. In order to prevent bearing damage and inaccurate seating of the bearings, the pressing-in operation should be carried out on a suitable device with control of force and travel.

In order to facilitate the pressing-in operation, the rope sheave can be heated. Appropriate tools for steel rope sheaves are available from Schaeffler.

Guidelines for mounting

During the mounting of cylindrical roller bearings SL04, the mounting forces should be applied only to the bearing ring to be mounted, *Figure 1*.

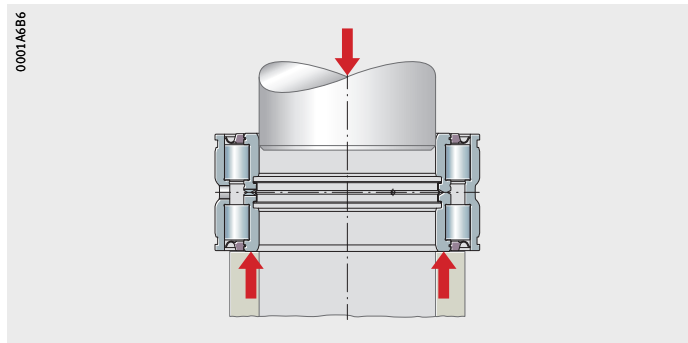


Figure 1
Application of mounting forces



Mounting forces must not be directed through the cylindrical rollers, *Figure 2*. During dismounting of the bearings, the dismounting forces must not be directed through the fasteners on the split inner ring.

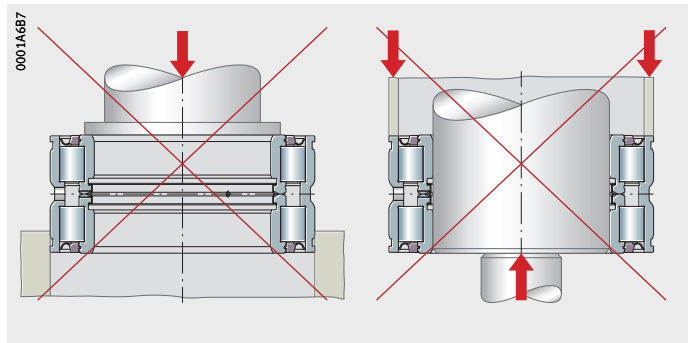


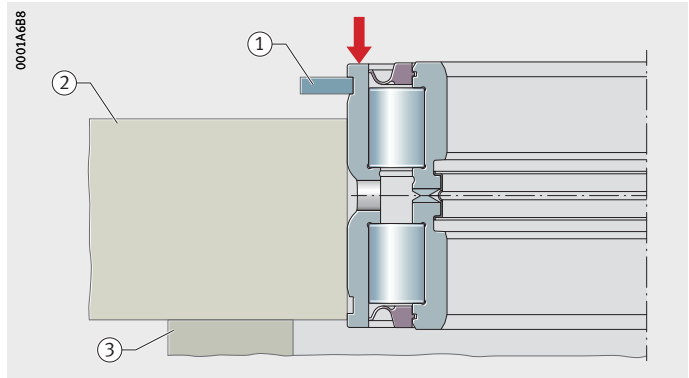
Figure 2
Impermissible mounting or dismounting methods

Mounting with a premounted retaining ring

If bearings with a premounted retaining ring are pressed into the rope sheave, this must be always carried out with monitoring of force (or alternatively with monitoring of travel), *Figure 3*.

- ① Retaining ring
- ② Rope sheave
- ③ Surface for support of mounting forces

Figure 3
Mounting with a premounted retaining ring



Further information

This PDF file is part of “medias” (medias.schaeffler.de). Please also take note of all other information provided there (Internet pages, PDF files), where this information is applicable to your task.?

**Schaeffler Technologies
AG & Co. KG**

Industriestraße 1–3
91074 Herzogenaurach
Germany
Internet www.schaeffler.de/en
E-mail info.de@schaeffler.com

In Germany:

Phone 0180 5003872
Fax 0180 5003873

From other countries:

Phone +49 9132 82-0
Fax +49 9132 82-4950

**Schaeffler Technologies
AG & Co. KG**

Georg-Schäfer-Straße 30
97421 Schweinfurt
Germany
Internet www.schaeffler.de/en
E-mail faginfo@schaeffler.com

In Germany:

Phone 0180 5003872
Fax 0180 5003873

From other countries:

Phone +49 9721 91-0
Fax +49 9721 91-3435

Every care has been taken to ensure the correctness of the information contained in this publication but no liability can be accepted for any errors or omissions. We reserve the right to make technical changes.

© Schaeffler Technologies AG & Co. KG
Issued: 2017, September

This publication or parts thereof may not be reproduced without our permission.
MH 1 GB-D