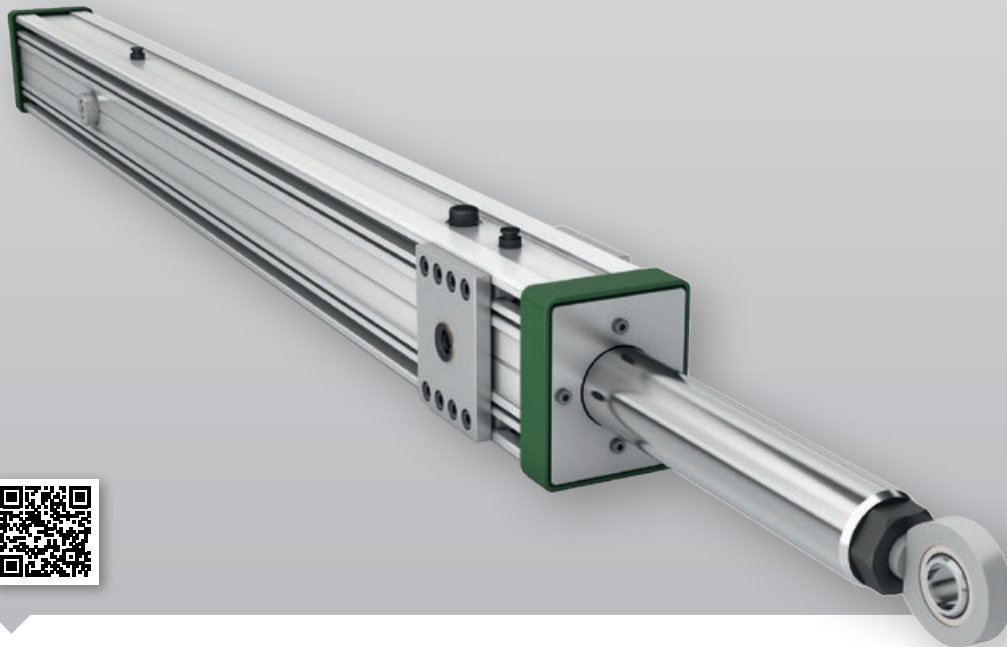


Rolling bearings
Plain bearings
Linear technology



Linear Actuator

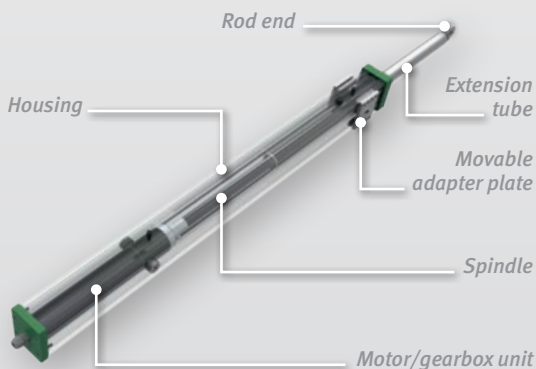
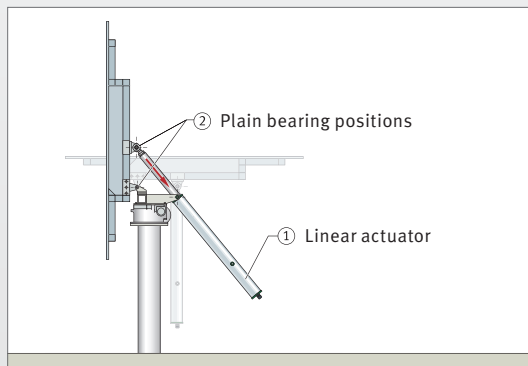
for solar tracking systems



Take an interactive
look at the product!

SCHAEFFLER

Linear actuators customized for performance and application requirements



Tracking systems for CSP and CPV

High cost-effectiveness, high precision, long rating life, and maintenance-free operation are the decisive characteristics of INA linear actuators for solar tracking systems.

Solution customized to suit the application

Because of the operating and environmental conditions to which solar power plants are subjected – such as extreme temperatures, dust, and winds – they need special protection against environmental influences. INA's linear actuators for solar tracking systems are characterized by an encapsulated housing with only a few, well sealed joints. Selected components that match the requirements of the application allow low-maintenance or even maintenance-free operation.

Product benefits

- Development and design matched to the requirements of the application
- High level of cost-effectiveness
- Integrated electronics and drive, and secure protection from environmental influences
- Solution can be adapted for other solar applications