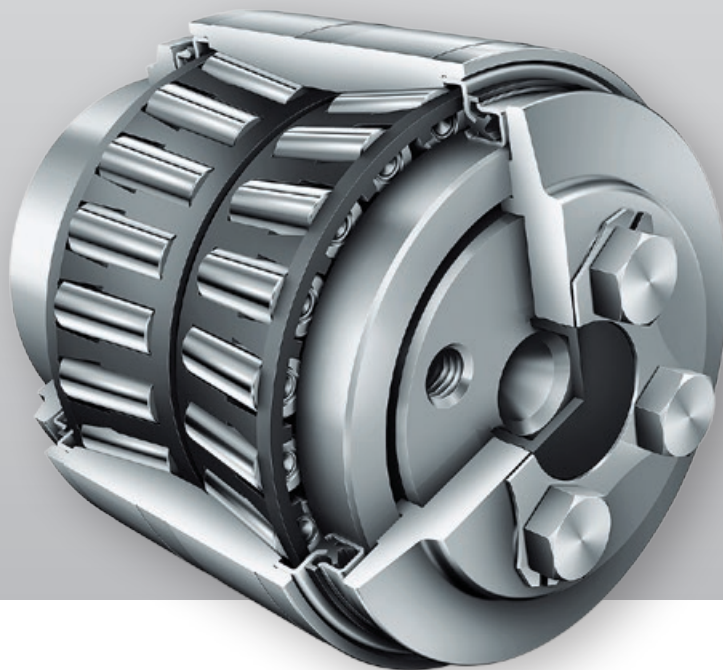


Rolling bearings
Plain bearings
Linear technology

FAG

TAROL Axlebox Bearings

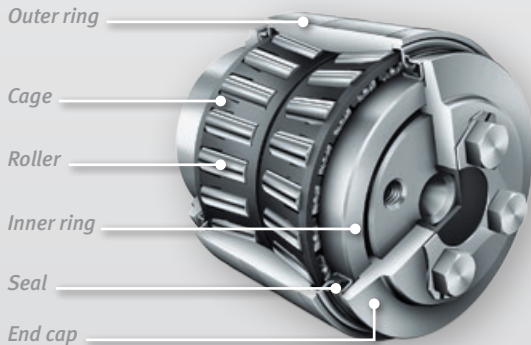
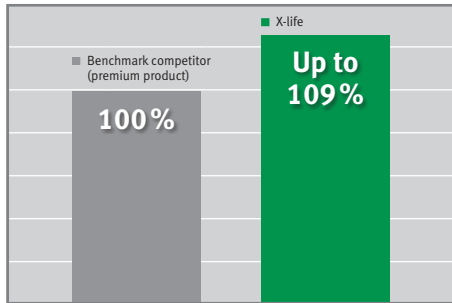


SCHAEFFLER

X-LIFE – PROVEN TO BE BETTER

Longer rating and operating life – reliable – energy-efficient

Dynamic load rating comparison C_r



Product features

- *Improved raceway surfaces*
- *Optimized inner ring rib and raceway geometry*
- *Improved rolling element geometry*
- Improved material grades
- Improved heat treatment options

Technical advantages

- *Higher dynamic load rating C_r*
- *Longer rating life*
- *Reduced friction*
- Lower operating temperatures
- Higher precision
- Reduced stress placed on the grease
- Reduced grease aging

Customer benefits

- *Longer operating time*
- *Increased reliability and availability*
- *Higher payload capacity*
- Reduced system costs (TCO/LCC)
- Longer maintenance intervals
- Reduced energy consumption

X-LIFE – PROVEN TO BE BETTER

Applications

- High-speed trains
- Passenger trains
- Locomotives
- Subway trains and streetcars
- Freight wagons and freight cars
- Heavy haul transportation



Types available

Metric and inch-size TAROL units with:

Bore diameter (d): $\varnothing 90 - \varnothing 180$ mm

Outside diameter (D): $\varnothing 150 - \varnothing 310$ mm



*Railway applications – axlebox bearings
EN12082 performance testing*

Schaeffler Technologies AG & Co. KG

Industriestrasse 1 – 3
91074 Herzogenaurach
Germany

Internet www.schaeffler.com/X-life
E-Mail X-life@schaeffler.com

Every care has been taken to ensure the correctness of the information contained in this publication but no liability can be accepted for any errors or omissions. We reserve the right to make technical changes.

© Schaeffler Technologies AG & Co. KG
Issued: 2015, February

This publication or parts thereof may not be reproduced without our permission.