

Rolling bearings

Plain bearings

Linear technology



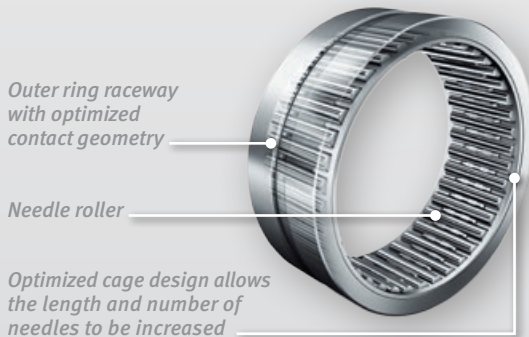
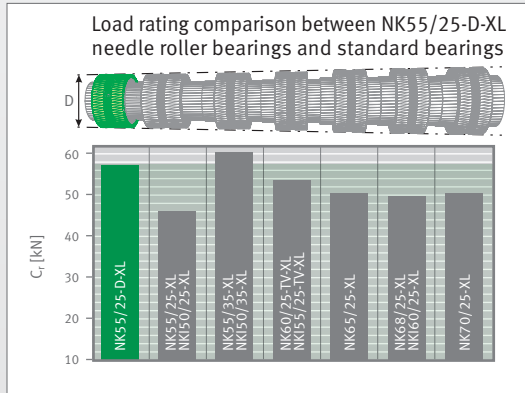
# Machined Needle Roller Bearings -D-XL



**SCHAEFFLER**

X-LIFE – PROVEN TO BE BETTER

# Longer rating and operating life – reliable – energy-efficient



## Product features

- Improved cage design allows a higher number of needle rollers
- Improved cage design allows longer needle rollers

## Technical advantages

- Up to 25% higher load carrying capacity
- Up to 30% less friction
- Up to 20% less weight
- Refer to TPI 221 for further information

## Customer benefits

- Downsizing possible, higher power density
- Reduced overall operating costs (TCO)
- Reduced grease and oil consumption
- Increased energy efficiency
- 5 sizes cover a range from NK14/16 to NK70/25 (and NK160/25)

## X-LIFE – PROVEN TO BE BETTER



### Applications

- Agricultural machinery
- Fluid technology and pneumatics
- Printing machinery
- Textile machinery
- Food processing and packaging machinery
- Industrial gearboxes

### Types available

- NK14/16-D-XL
- NK20/16-D-XL
- NK28/20-D-XL
- NK37/20-D-XL
- NK55/25-D-XL



*Comparison of needle roller length in standard bearings and the longer needle rollers in the newly-developed needle roller and cage assembly*

## **Schaeffler Technologies AG & Co. KG**

Industriestrasse 1 – 3  
91074 Herzogenaurach  
Germany

Internet [www.schaeffler.com/X-life](http://www.schaeffler.com/X-life)  
E-Mail [X-life@schaeffler.com](mailto:X-life@schaeffler.com)

Every care has been taken to ensure the correctness of the information contained in this publication but no liability can be accepted for any errors or omissions. We reserve the right to make technical changes.

© Schaeffler Technologies AG & Co. KG  
Issued: 2015, February

This publication or parts thereof may not be reproduced without our permission.