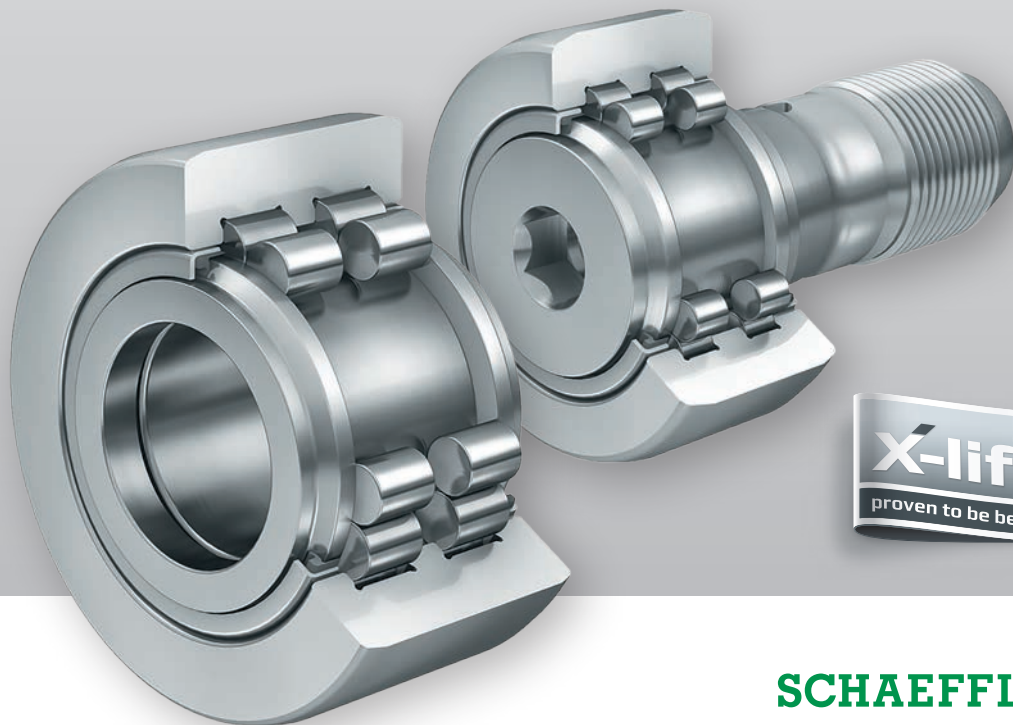


Rolling bearings
Plain bearings
Linear technology



Yoke and Stud Type Track Rollers PWTR and PWKR



SCHAEFFLER

X-LIFE – PROVEN TO BE BETTER

Longer rating and operating life – reliable – energy-efficient



Product features

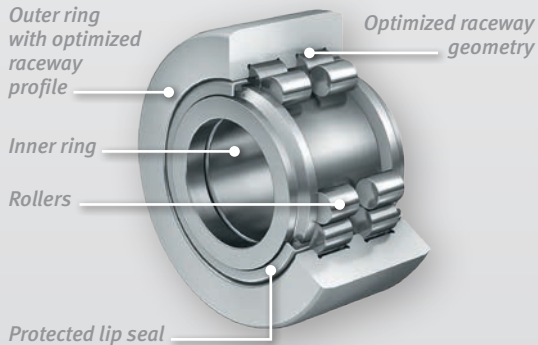
- *Improved raceway geometry*
- *Optimized outer ring material*
- *Improved surface quality on outer rings*
- Adapter for lubrication unit
- Hexagon socket on both sides

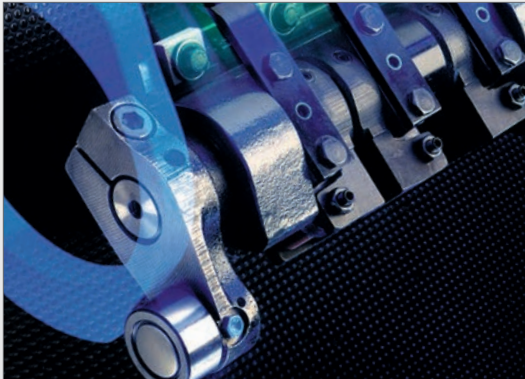
Technical advantages

- *Up to 15% higher permissible radial force F_r*
- *Up to 30% higher permissible radial force F_{Or}*
- *Increased contact length*
- Reduced edge stresses at high loads

Customer benefits

- *Up to 30% longer rating life*
- *Increased reliability*
- *Longer operating life*
- *Higher load carrying capacity*
- Easier to mount and maintain



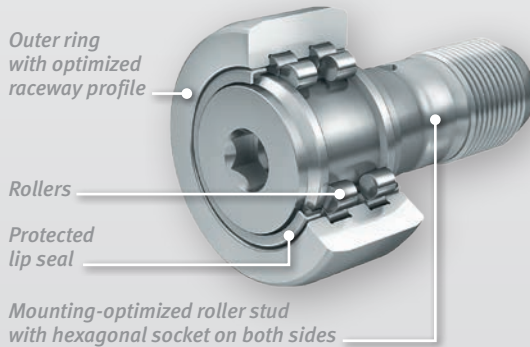


Applications

- Linear guidance systems in transfer robots
- Steady rests for turning machines
- Filling plant for the food industry

Types available

- PWTR
- PWKR



Schaeffler Technologies AG & Co. KG

Industriestrasse 1 – 3
91074 Herzogenaurach
Germany

Internet www.schaeffler.com/X-life
E-Mail X-life@schaeffler.com

Every care has been taken to ensure the correctness of the information contained in this publication but no liability can be accepted for any errors or omissions. We reserve the right to make technical changes.

© Schaeffler Technologies AG & Co. KG
Issued: 2015, March

This publication or parts thereof may not be reproduced without our permission.