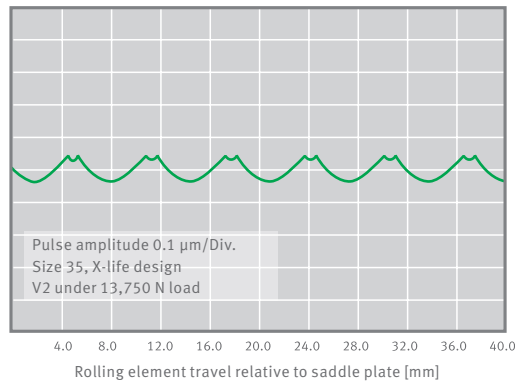


PROVEN TO BE BETTER

KUSE-XL 6-row linear recirculating ball bearing and guideway assembly

New performance class

The KUSE-XL gives design engineers a whole new range of options. This new performance class of our proven linear recirculating ball bearing and guideway assembly means that machines' load carrying capacity, smooth running characteristics, and precision can all be improved without any changes to the design.



Smoother running thanks to the significantly lower stroke pulsation, particularly under higher loads

Product characteristics

- Six rows of balls support the loads, while four rows of balls transfer forces in a compressive direction. Two rows of balls support the tensile forces. Lateral loads are transmitted by three rows of balls.
- Optimized run-in zone geometry for the rolling elements.
- Their extremely smooth running also makes them suitable for use in measuring machines.

Technical advantages

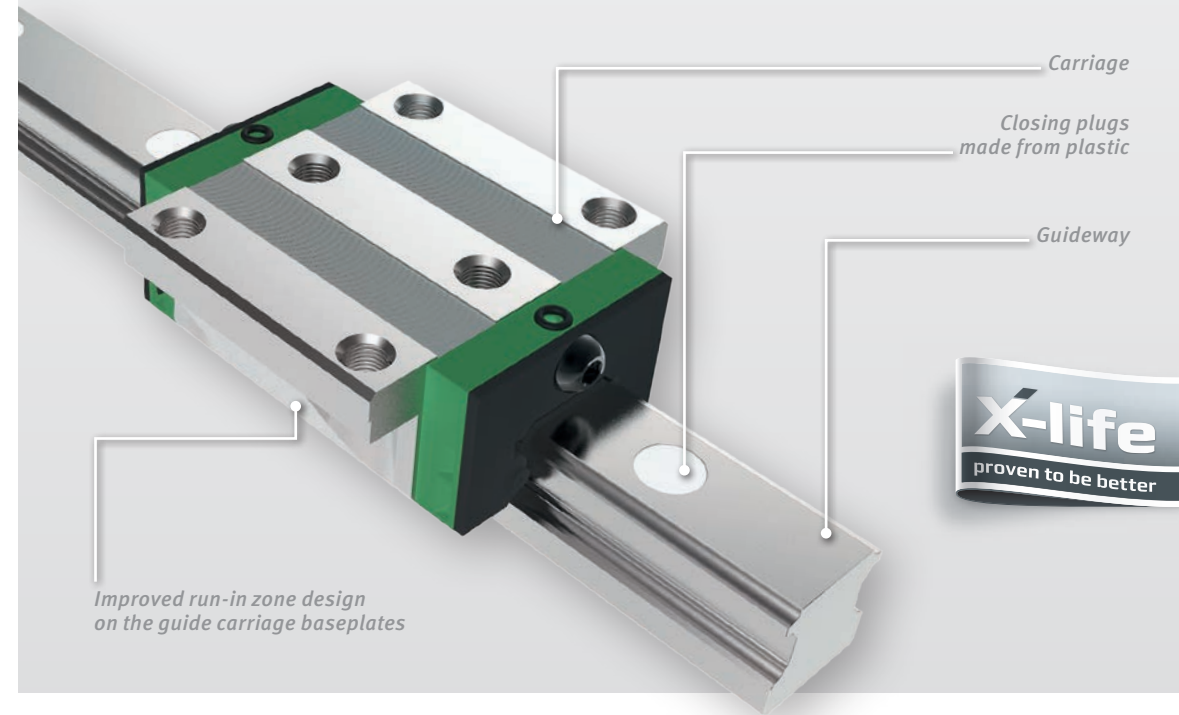
- Load ratings increased by up to 44 %
- Pulse amplitude reduced by 87 %
- Up to three times the nominal rating life

Customer benefits

- Increased machine availability
- Improved surface quality
- Increased machine precision
- A broad range of accessories (sealing and lubrication KITS) provides flexibility

The KUSE-XL is available in four versions:

Standard / Long / High / High-Long



Schaeffler Technologies AG & Co. KG

Berliner Strasse 134
66424 Homburg (Saar)
Germany

Phone +49 6841 701-0

E-mail info.linear@schaeffler.com

Every care has been taken to ensure the correctness of the information contained in this publication but no liability can be accepted for any errors or omissions. We reserve the right to make technical changes.

© Schaeffler Technologies AG & Co. KG
Issued: 2017, September

This publication or parts thereof may not be reproduced without our permission.

Rolling bearings
Plain bearings
Linear technology

KUSE-XL

6-row linear recirculating ball bearing and guideway assembly

