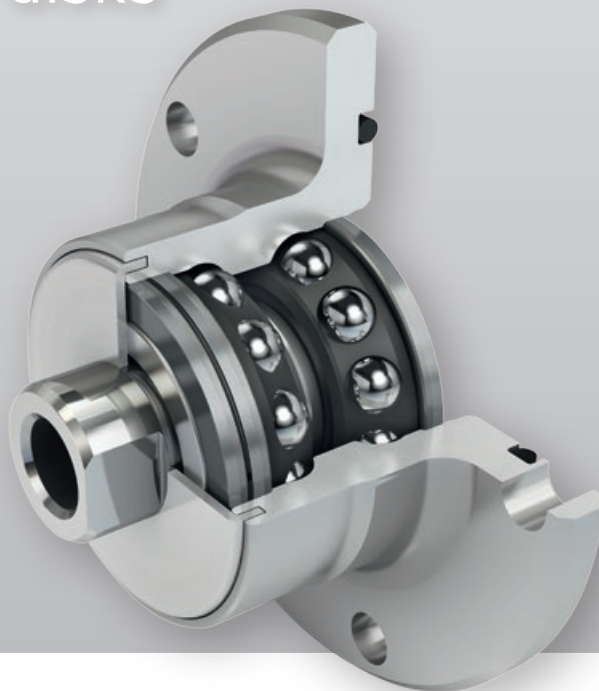


BEARING SOLUTIONS
FOR AGRICULTURAL ENGINEERING



Flanged Housing Unit for plow disks



Take an interactive
look at the product!

SCHAEFFLER

Perfectly sealed and quick to mount



Functional advantages

- Ready to fit, compact, and maintenance-free
- High load carrying capacity and long rating life
- High tilting rigidity due to the large contact angle
- Clearance-free in operation
- Functional parts protected from corrosion

Product benefits

- Increased operating life due to the optimized sealing system
- Insensitive to shocks
- Economically and technically sophisticated system solution

Integration/installation

- Quick to mount and remove

Performance data

- Dynamic load rating $C = 56 \text{ kN}$
- Static load rating $C_0 = 44 \text{ kN}$

*Optimized sealing system:
3 sealing cassettes,
O-ring, and
angled labyrinth disk*

*Machined housing
with integrated
raceway*

*Preload due
to split inner
rings*

*Integrated pin with
fixing thread*

