

**FAG**



**„Advanced by FAG“ –  
Increased Comfort and Efficiency  
for E-Bikes**

**SCHAEFFLER**

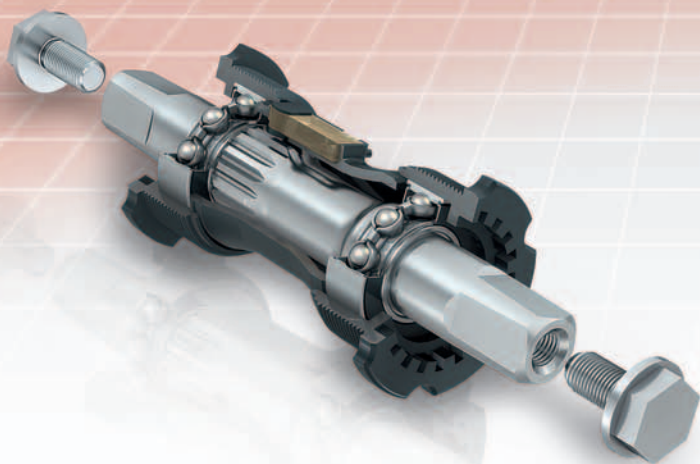


## **A bottom bracket that knows how you are feeling!**

**Intelligent sensor bottom brackets make e-bikes more attractive**

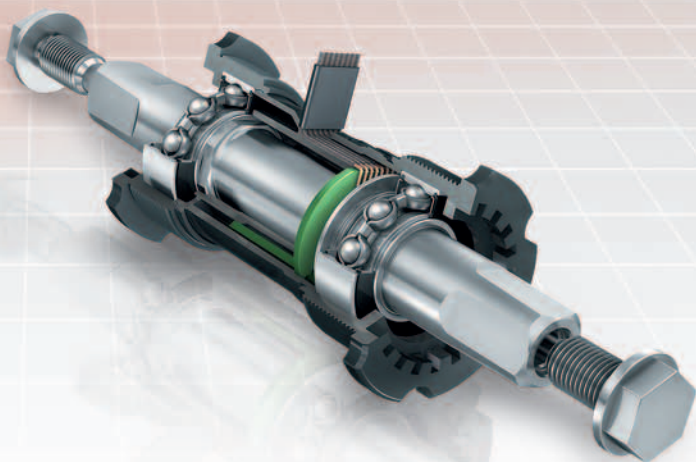
### **BBRS: Reliable sensor technology**

- **What the sensor arrangement can do:**  
non-contact measurement of speed and direction of rotation
- **Shorter reaction time of the control system**  
Higher accuracy of 16 speed pulses instead of the conventional 5 or 8
- **Ready for immediate operation without the need for calibration**
- **Quick and easy fitting to all common cycle types**  
due to standard BSA bottom bracket housing
- **Protected against damage and environmental influences**  
due to complete integration in cycle frame
- **Maintenance-free**
- **Excellent corrosion resistance**
- **Smooth-running concept – “Advanced by FAG”**



## **BBRTS: Responsive and compact for increased riding comfort**

- **What the sensor arrangement can do:**  
non-contact measurement of speed, direction of rotation and torque (left hand side)
- **Precise, comfortable rider assistance**  
High resolution torque signals;  
up to 72 speed signals per crank revolution
- **Ready for immediate operation after fitting**
- **Quick and easy fitting to all common cycle types**  
due to standard BSA bottom bracket housing
- **Protected against damage and environmental influences**  
due to complete integration in cycle frame
- **Maintenance-free**
- **Excellent corrosion resistance**
- **Smooth-running concept – “Advanced by FAG”**



## **BBRTTS: Luxury class ride comfort**

- **What the sensor arrangement can do:**  
non-contact measurement of speed, direction of rotation and torque on both sides
- **Precise, comfortable motor assistance – no need for additional effort**  
Torque measurement on both sides in any riding situation;  
High resolution torque signals;  
at least 32 speed pulses per crank revolution
- **Protected against damage and environmental influences**  
due to integration in drive system
- **Maintenance-free**
- **Excellent corrosion resistance**
- **Smooth, quiet running**  
due to Generation C bearing technology from FAG



## Sensor bottom bracket: Assistance on demand

FAG's decades of experience in the development and production of bearings for bicycles are reflected in the new bottom brackets with sensors. E-bikes and pedelecs fitted with these units have a technical advantage and gain greater acceptance in the marketplace. Through precise control and top class smooth running as a result of the "Advanced by FAG" friction optimization, riding enjoyment is increased by a considerable margin.



FAG sensor bottom brackets have a high load capacity, are ready-to-fit and can be mounted very easily. They offer assistance on demand: The unit detects the requirement of the rider for motor assistance in the specific situation and controls the provision of power accordingly. This gives excellent riding characteristics at all times. In addition, the intelligent sensor system saves energy and thus increases the range.

World-Class Technology – Contact us for more details!



**Schaeffler Technologies**  
**AG & Co. KG**  
Georg-Schäfer-Strasse 30  
97421 Schweinfurt  
Germany  
[lev-bike-sport@schaeffler.com](mailto:lev-bike-sport@schaeffler.com)