

**FAG**



## **Plummer Block Housings SNV**

**Quick to mount – easy to lubricate**

**SCHAEFFLER GROUP**  
INDUSTRIAL

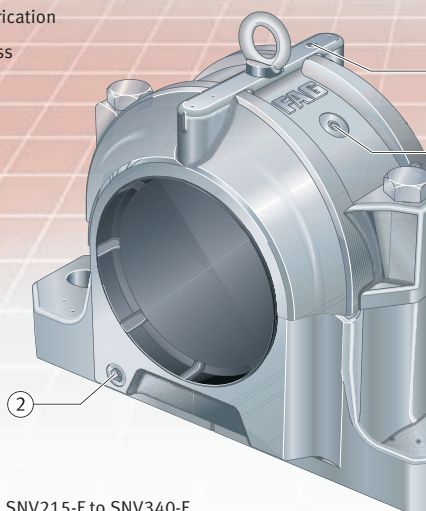
## Quick to mount – easy to lubricate. The new plumber block housings SNV ...

A technician requires approximately 8 to 20 minutes in order to drill just one of the center-punched lubrication holes. And he carries out the same procedure 10 or 100 times, depending on the application ... You can quickly calculate how much working time can be saved by using the new SNV housings from FAG. Because they are predrilled!

### **New: Overgreasing is prevented by grease outlet hole**

New generation split plumber block housings SNV have a total of three holes that are sealed with screw plugs during manufacture. The new grease outlet hole provided as standard on the bottom edge of the housing is an inconspicuous design change that can quickly secure a competitive advantage. Excess grease can escape from

- ① Threaded holes for grease lubrication
- ② Threaded hole for grease egress

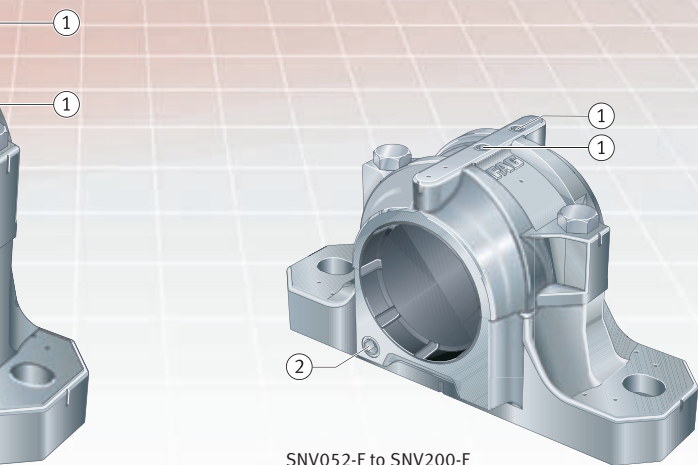


SNV215-F to SNV340-F

the bottom of the housing if excess pressure occurs and the bearing cannot be overgreased. Furthermore, there is an additional lubrication hole that allows easier relubrication of, for example, ball bearings.

**FAG has been replacing the old series SNV since the beginning of 2011**

Old series SNV without additional lubrication holes is being replaced by the new housings SNV052-F to SNV340-F. As they are particularly easy to mount and maintain, special housing designs are no longer required for many standard applications. For more information see Schaeffler publications TPI 175 “Split plummer block housings SNV” and product data sheet PDB 1 “New generation of SNV housings”.



SNV052-F to SNV200-F



## More operational security with the FAG lubricator

Relubrication can be carried out automatically by the FAG Motion Guard lubricator.

This allows an even and reliable grease supply for the rolling bearings in the housings. The grease outlet hole ensures pressure compensation so that the lubricator is not made

inoperative by excessive back pressure. The grease

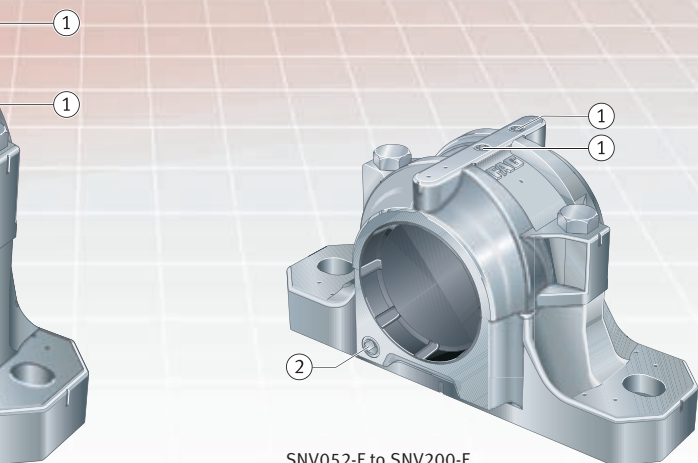
outlet hole in combination with the lubricators increases the overall operational security of SNV housing units.



The Motion Guard lubricator ensures an even and reliable grease supply for the bearing support

## ... and your benefits at a glance

- Overgreasing is prevented by grease outlet hole
- Simplified relubrication due to additional lubrication hole
- Minimized fitting work due to lubrication holes provided as standard
- Simplified stockholding as a result of modular concept
- The bearing housing units can support very high loads
- Optimized for fitting condition monitoring and relubrication systems
- Double lip seals, labyrinth seals, felt seals, V ring seals, combined seals or special seals can be used for additional protection



SNV052-F to SNV200-F

**Schaeffler Technologies GmbH & Co. KG**  
Georg-Schäfer-Strasse 30  
97421 Schweinfurt (Germany)  
[FAGinfo@schaeffler.com](mailto:FAGinfo@schaeffler.com)