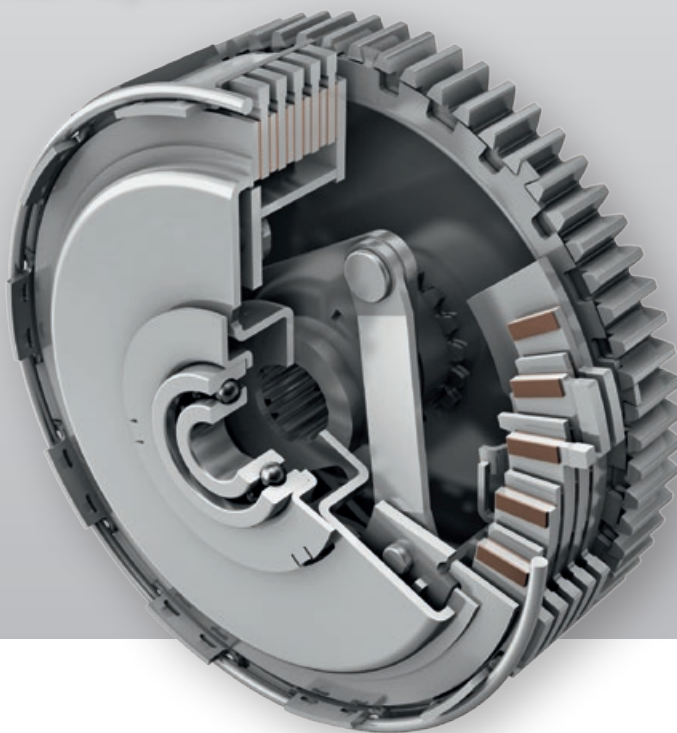


Engine
Chassis
Transmission
E-Mobility



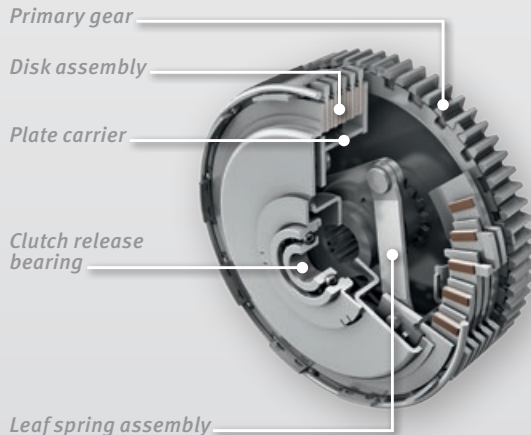
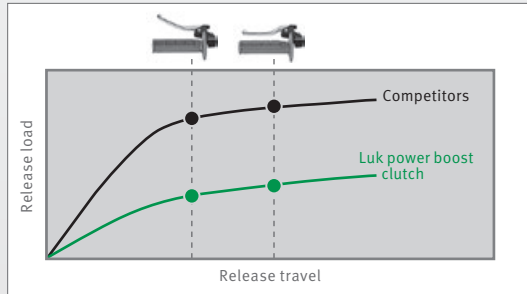
Power Boost Clutch

for motorcycles



SCHAEFFLER

Power Boost Clutch for Motorcycles



Description

- Self-reinforcing multi-disk clutch with leaf springs

Features

- Leaf spring design with self-reinforcing function
- Very simple and compact system
- Lightweight construction made from formed sheet steel parts
- Integrated damping system
- Virtually frictionless mechanism
- Steel friction plates
- Steel/steel contact

Product benefits

- Reduced actuation force increases riding comfort
- Increased ride safety due to limitation of driving torque (anti-hopping function)
- Comfortable actuation force curve
- Reduced design space requirements
- Reduced mass
- High thermal load strength

Integration/installation

- Leaf spring clutch principle can be used in all multi-disk clutches
- Reduces the required design envelope