



FAG



Housing units to JIS standard

Expanded range of catalogue products:

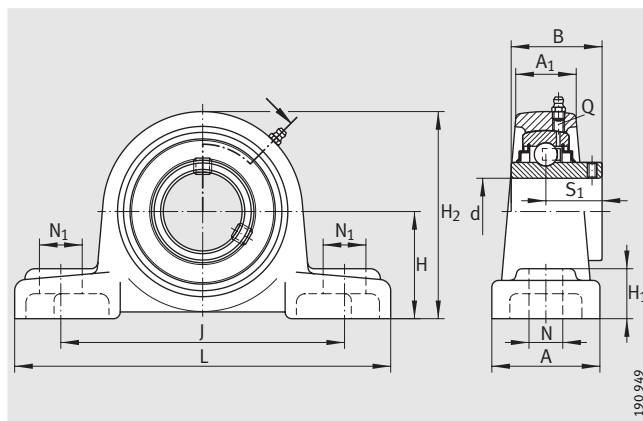
- In addition to housings in accordance with the ISO standard, cast iron housings to the Japanese Industry Standard (JIS B 1559) are now also available
- Available as pillow block, two-bolt and four-bolt flanged housing units
- Manufactured to the well-known high INA quality standard
- Combined with the proven INA insert bearing type GYE..-KRR-B
- Sealed by three-piece preloaded lip seals
- Robust, ready-to-fit, versatile, economical
- Suitable for highly problematic environmental conditions such as severe contamination, stone impact, shocks ...

NEW

SCHAEFFLER GROUP
INDUSTRIAL

Cast iron housing units

to JIS standard



RASEY..JIS

Dimension table · Dimensions in mm

Shaft diameter d	Designation		Housing ²⁾	Insert bearing	Mass ≈kg	Dimensions			
	Unit ¹⁾	Competitor designation				d	H	J	L
20	RASEY20-JIS	UCP204	GG.P204	GYE20-KRR-B-FA107	0,63	20	33,3	95	127
25	RASEY25-JIS	UCP205	GG.P205	GYE25-KRR-B-FA107	0,79	25	36,5	105	140
30	RASEY30-JIS	UCP206	GG.P206	GYE30-KRR-B-FA107	1,3	30	42,9	121	165
35	RASEY35-JIS	UCP207	GG.P207	GYE35-KRR-B-FA107	1,41	35	47,6	127	167
40	RASEY40-JIS	UCP208	GG.P208	GYE40-KRR-B-FA107	1,68	40	49,2	137	184
45	RASEY45-JIS	UCP209	GG.P209	GYE45-KRR-B-FA107	2,07	45	54	146	190
50	RASEY50-JIS	UCP210	GG.P210	GYE50-KRR-B-FA107	2,57	50	57,2	159	206
55	RASEY55-JIS	UCP211	GG.P211	GYE55-KRR-B-FA107	3,47	55	63,5	171	219
60	RASEY60-JIS	UCP212	GG.P212	GYE60-KRR-B-FA107	4,53	60	69,8	184	241

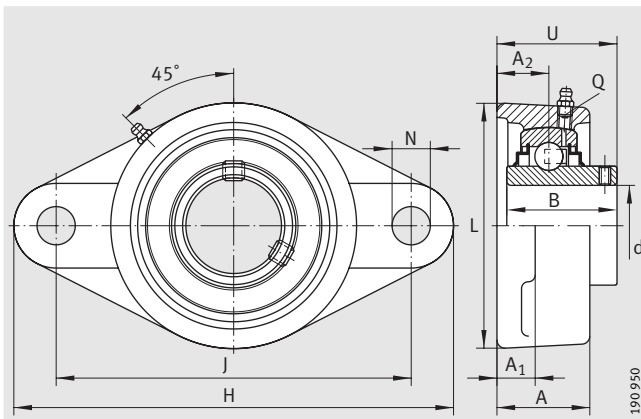
Dimension table · Dimensions in mm

Shaft diameter d	Designation		Housing ²⁾	Insert bearing	Mass ≈kg	Dimensions			
	Unit ¹⁾	Competitor designation				d	L	H	A ₁
20	RCJTY20-JIS	UCFL204	GG.FL204	GYE20-KRR-B-FA107	0,42	20	60	113	12
	RCJY20-JIS	UCF204	GG.F204	GYE20-KRR-B-FA107	0,6	20	86	–	12
25	RCJTY25-JIS	UCFL205	GG.FL205	GYE25-KRR-B-FA107	0,61	25	68	130	14
	RCJY25-JIS	UCF205	GG.F205	GYE25-KRR-B-FA107	0,76	25	95	–	14
30	RCJTY30-JIS	UCFL206	GG.FL206	GYE30-KRR-B-FA107	0,91	30	80	148	14
	RCJY30-JIS	UCF206	GG.F206	GYE30-KRR-B-FA107	1,17	30	108	–	14
35	RCJTY35-JIS	UCFL207	GG.FL207	GYE35-KRR-B-FA107	1,19	35	90	161	16
	RCJY35-JIS	UCF207	GG.F207	GYE35-KRR-B-FA107	1,47	35	117	–	16
40	RCJTY40-JIS	UCFL208	GG.FL208	GYE40-KRR-B-FA107	1,51	40	100	175	16
	RCJY40-JIS	UCF208	GG.F208	GYE40-KRR-B-FA107	1,91	40	130	–	16
45	RCJTY45-JIS	UCFL209	GG.FL209	GYE45-KRR-B-FA107	1,94	45	108	188	18
	RCJY45-JIS	UCF209	GG.F209	GYE45-KRR-B-FA107	2,28	45	137	–	18
50	RCJTY50-JIS	UCFL210	GG.FL210	GYE50-KRR-B-FA107	2,21	50	115	197	18
	RCJY50-JIS	UCF210	GG.F210	GYE50-KRR-B-FA107	2,54	50	143	–	18
55	RCJTY55-JIS	UCFL211	GG.FL211	GYE55-KRR-B-FA107	2,83	55	130	224	20
	RCJY55-JIS	UCF211	GG.F211	GYE55-KRR-B-FA107	3,3	55	162	–	20
60	RCJTY60-JIS	UCFL212	GG.FL212	GYE60-KRR-B-FA107	3,88	60	140	250	20
	RCJY60-JIS	UCF212	GG.F212	GYE60-KRR-B-FA107	4,12	60	175	–	20

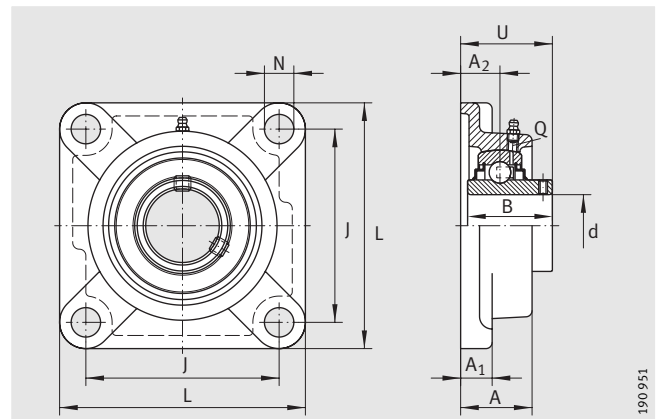
¹⁾ For a description of the products and the design of bearing arrangements, see Catalogue HR1, Rolling bearings.

²⁾ The dimensional tolerances of the housings comply with ISO 8 062/CT10.

³⁾ Basic load ratings of the insert bearing.



RCJTY..JIS



RCJY..JIS

A	A ₁	H ₁	H ₂	N	N ₁	B	S ₁	Q	Basic load ratings ³⁾		Shaft diameter d
									dyn. C _r N	stat. C _{0r} N	
38	22	14	65	13	6	31	18,3	M6	12 800	6 600	20
38	23	15	71	13	6	34,1	19,8	M6	14 000	7 800	25
48	26	17	83	17	4	38,1	22,2	M6	19 500	11 300	30
48	27	18	93	17	4	42,9	25,4	M6	25 500	15 300	35
54	30	18	98	17	4	49,2	30,2	M6	32 500	19 800	40
54	30	20	106	17	4	49,2	30,2	M6	32 500	20 400	45
60	32	21	114	20	5	51,6	32,6	M6	35 000	23 200	50
60	34	23	126	20	5	55,6	33,4	M6	43 500	29 000	55
70	36	25	138	20	5	65,1	39,7	M6	52 000	36 000	60

N	B	J	A ₂	Q	A	U	Basic load ratings ³⁾		Shaft diameter d
							dyn. C _r N	stat. C _{0r} N	
12	31	90	15	M6	25,5	33,3	12 800	6 600	20
12	31	64	15	M6	25,5	33,3	12 800	6 600	25
16	34,1	99	16	M6	27	35,8	14 000	7 800	
12	34,1	70	16	M6	27	35,8	14 000	7 800	30
16	38,1	117	18	M6	31	40,2	19 500	11 300	
12	38,1	83	18	M6	31	40,2	19 500	11 300	35
16	42,9	130	19	M6	34	44,4	25 500	15 300	
14	42,9	92	19	M6	34	44,4	25 500	15 300	40
16	49,2	144	21	M6	36	51,2	32 500	19 800	
16	49,2	102	21	M6	36	51,2	32 500	19 800	45
19	49,2	148	22	M6	38	52,2	32 500	20 400	
16	49,2	105	22	M6	38	52,2	32 500	20 400	50
19	51,6	157	22	M6	40	54,6	35 000	23 200	
16	51,6	111	22	M6	40	54,6	35 000	23 200	55
19	55,6	184	25	M6	43	58,4	43 500	29 000	
19	55,6	130	25	M6	43	58,4	43 500	29 000	60
23	65,1	202	29	M6	48	68,7	52 000	36 000	
19	65,1	143	29	M6	48	68,7	52 000	36 000	

Schaeffler KG

Industriestrasse 1-3
91074 Herzogenaurach (Germany)
Internet www.ina.com
E-Mail info@schaeffler.com

In Germany:

Phone 0180 5003872
Fax 0180 5003873

From Other Countries:

Phone +49 9132 82-0
Fax +49 9132 82-4950

Every care has been taken to ensure the correctness of the information contained in this publication but no liability can be accepted for any errors or omissions.

We reserve the right to make technical changes.

© Schaeffler KG · 2007, February

This publication or parts thereof may not be reproduced without our permission.

TPI 116 GB-D