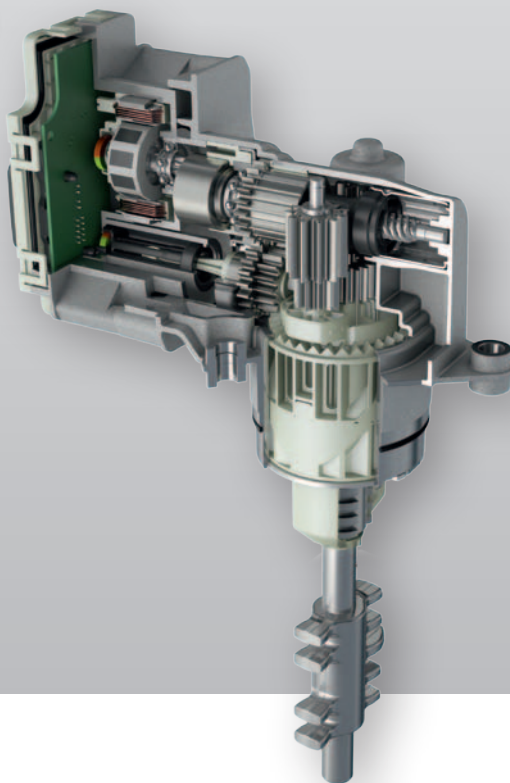


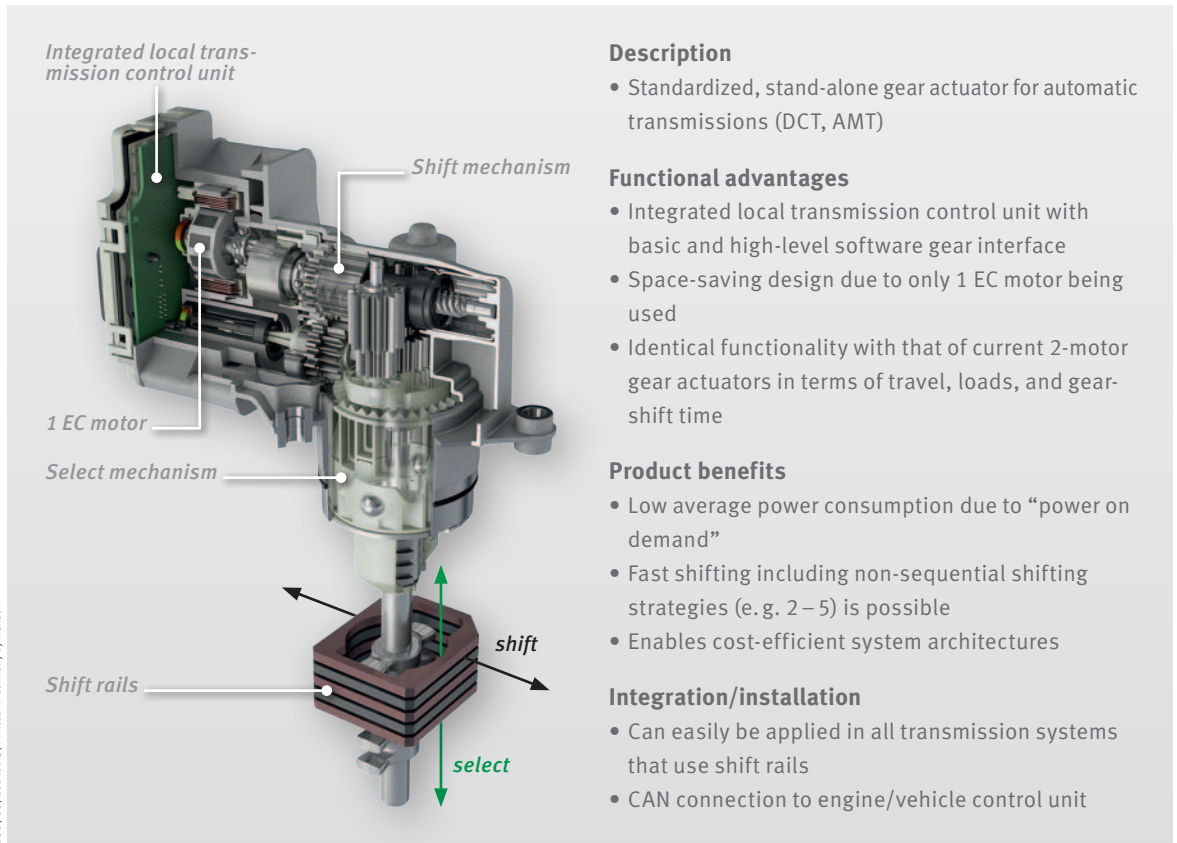
Engine
Chassis
Transmission
E-Mobility

SCHAEFFLER

Single-Motor Gear Actuator



Single-Motor Gear Actuator (SGA)



Description

- Standardized, stand-alone gear actuator for automatic transmissions (DCT, AMT)

Functional advantages

- Integrated local transmission control unit with basic and high-level software gear interface
- Space-saving design due to only 1 EC motor being used
- Identical functionality with that of current 2-motor gear actuators in terms of travel, loads, and gear-shift time

Product benefits

- Low average power consumption due to “power on demand”
- Fast shifting including non-sequential shifting strategies (e.g. 2 – 5) is possible
- Enables cost-efficient system architectures

Integration/installation

- Can easily be applied in all transmission systems that use shift rails
- CAN connection to engine/vehicle control unit